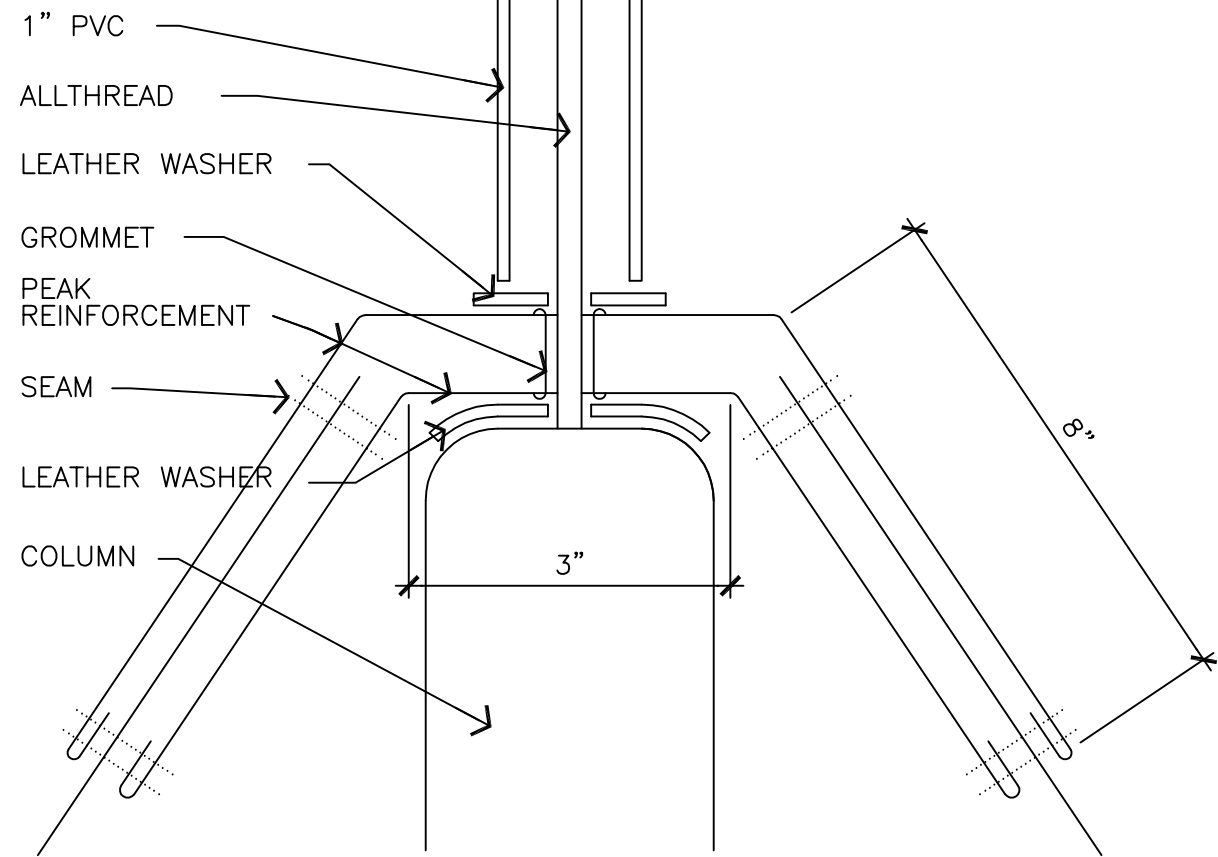


A
1 PLAN

1/2" = 1'-0"

B
1 ELEVATION

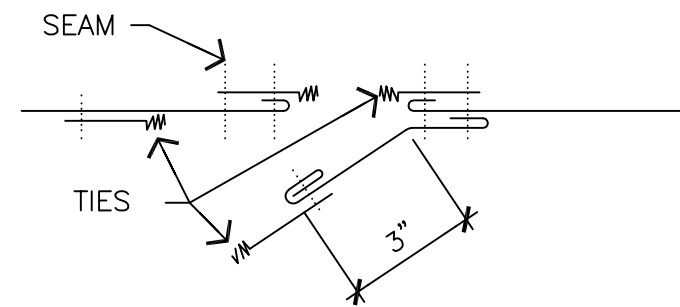
1/2" = 1'-0"



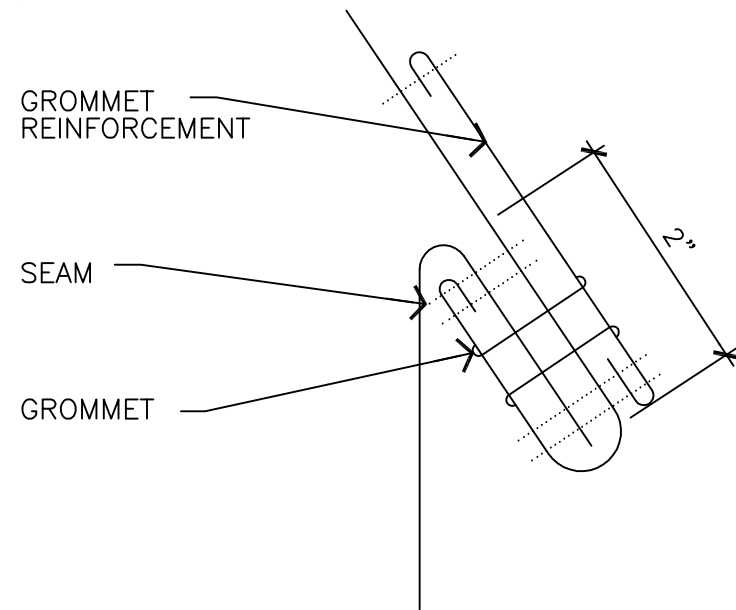
A
2 RIDGE NTS

GENERAL NOTES

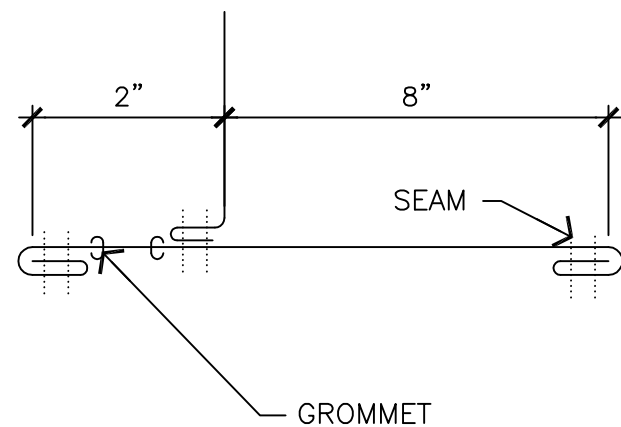
FLOORING MADE FROM RUG OR CANVAS
 BACKED WITH WATERPROOF TARP
 CENTER POLE SPLIT IN TWO WITH
 REMOVABLE METAL BRACKET SUPPORT



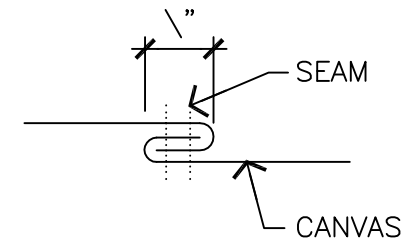
B
2 TIES @ 12" OC NTS



C
2 OVERHANG NTS



D
2 BASE NTS



E
2 TYPICAL SEAM NTS